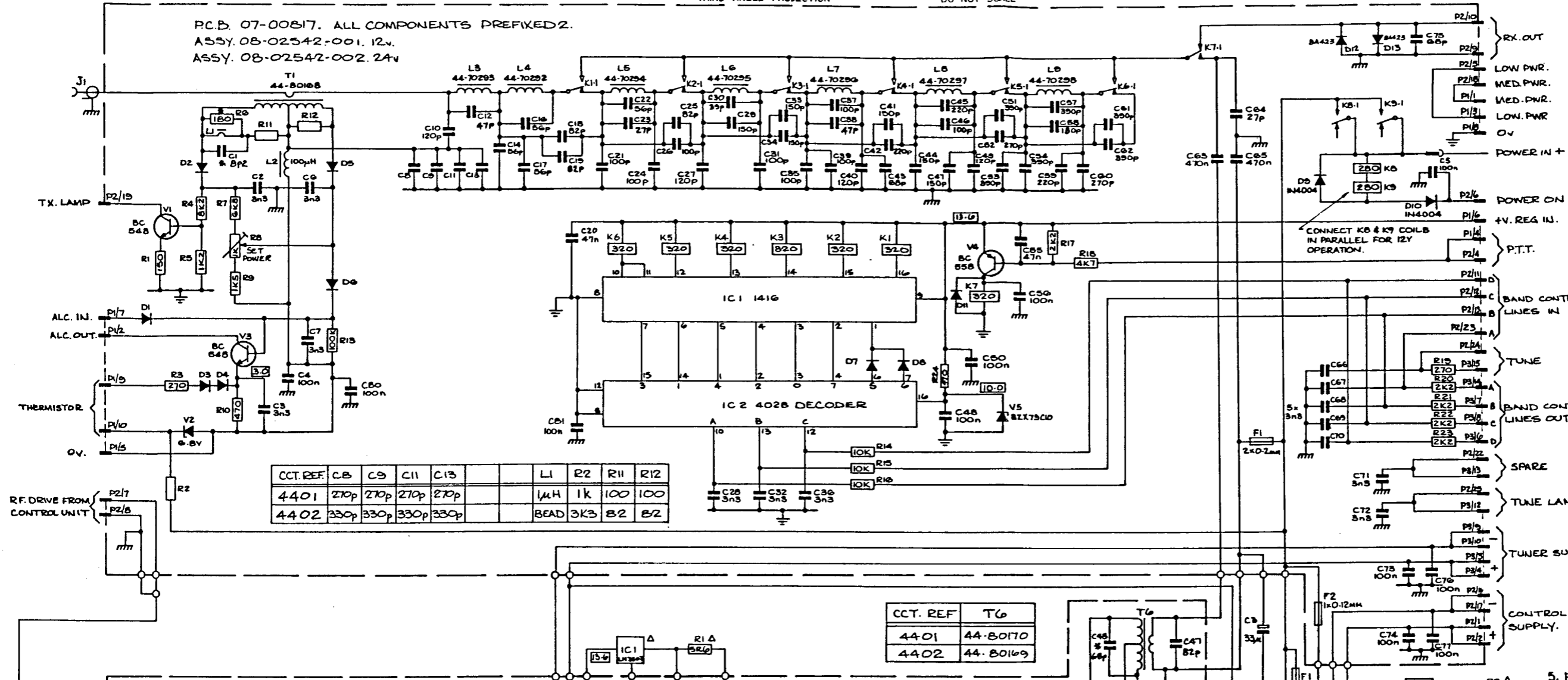


PCB. 07-00817. ALL COMPONENTS PREFIXED 2.
 ASSY. 08-02542-001. 12V.
 ASSY. 08-02542-002. 24V

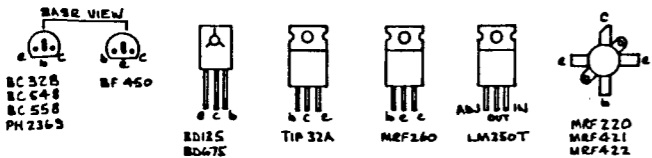
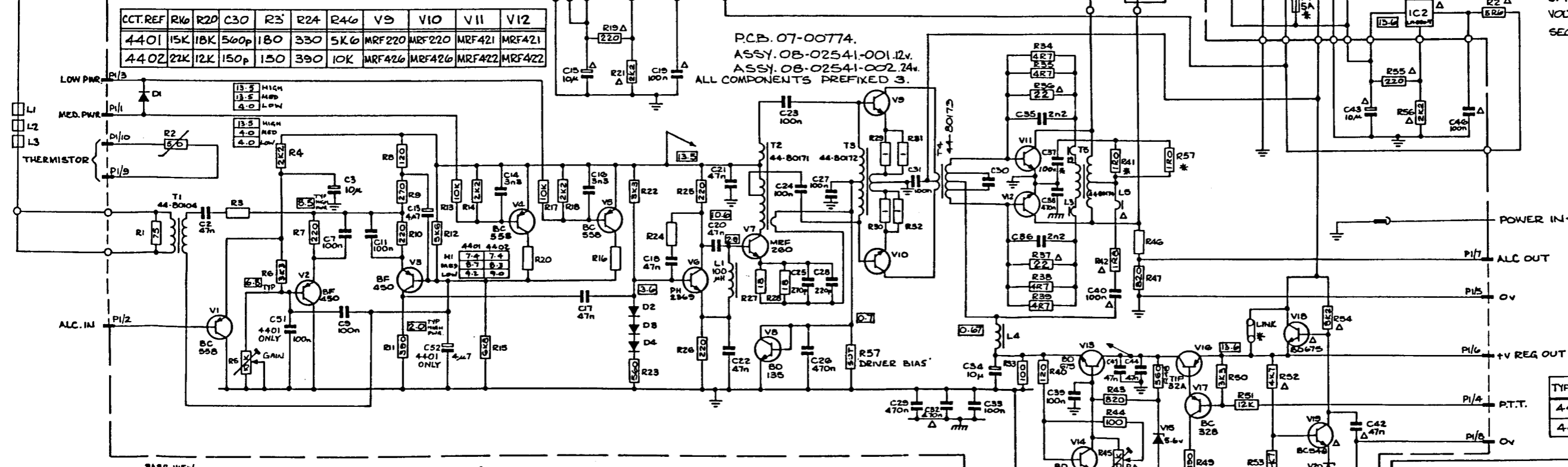


CCT. REF.	C8	C9	C11	C13		L1	R2	R11	R12
4401	270p	270p	270p	270p		1μH	1k	100	100
4402	330p	330p	330p	330p		BEAD	3k3	82	82

CCT. REF.	T6
4401	44-80170
4402	44-80169

CCT. REF.	R16	R20	C30	R3	R24	R46	V9	V10	V11	V12
4401	15K	18K	560p	180	330	5K.6	MRF220	MRF220	MRF421	MRF421
4402	22K	12K	150p	150	390	10K	MRF426	MRF426	MRF422	MRF422

PCB. 07-00774.
 ASSY. 08-02541-001. 12V.
 ASSY. 08-02541-002. 24V.
 ALL COMPONENTS PREFIXED 3.



- NOTES:-
 1. * FITTED TO 4401 ONLY.
 2. Δ FITTED TO 4402 ONLY.
 3. P1 OF ASSY 08-02541 IS JOINED TO P1 OF ASSY 08-02542 WITH RIBBON CABLE 08-02522. PIN No'S CORRESPOND (EG. P111 JOINS TO PIN 1).
 4. P2 IS THE 25 WAY 'D' CONNECTOR FOR THE CONTROL UNIT.
 5. P3 IS THE 15 WAY 'D' CONNECTOR FOR THE ANTENNA TUNING UNIT.
 6. ALL CHASSIS COMPONENTS PREFIXED 1.
 7. ALL DIODES 1N914 OR EQUIVALENT UNLESS OTHERWISE STATED.
- MEASUREMENT NOTES:-
 1. ALL VOLTAGES ARE MEASURED WITH RESPECT TO THE NEGATIVE RAIL. VOLTAGES ARE TYPICAL AND MAY VARY BETWEEN UNITS.
 2. D.C. VOLTAGES SHOWN [] ARE MEASURED WITH A 20K Ω/V METER, AND ARE IN THE TRANSMIT MODE AND WITHOUT SIGNALS APPLIED.
 3. USE AN EARTH AS CLOSE AS PRACTICABLE TO POINT OF MEASUREMENT. WIND EXCESS PROBE BARTH LEAD AROUND PROBE TO MINIMISE LOOP AREA.
 4. ALL MEASUREMENTS ARE MADE WITH A D.C. SUPPLY OF:-

TYPE	TEST VOLTAGE
4401	13.0V
4402	27.2V

5. FOR TYPICAL RF VOLTAGES REF. HANDBOOK SECTION: D.2.12. (4401) D.3.12. (4402)

- B. NDC 0098 L2 & L3 REWORK 22.8.83
- C. NDC 0108 UPDATED 7.9.83 BAT
- D. NDC 0128 CIRCUIT & COMP. CHANGES 4.10.83 BAT
- E. NDC 0157 CIRCUIT & COMP. CHANGES 23.1.84 JPL
- ISSUE 2: K1-K6 REVERSED C/R 20.7.88 24-1-86 JPL
- ISSUE 3: C1 & C2 ADDED C/R 10.8.01 5/1/86 JPL
- ISSUE 4: D12, D15 WERE INGR C/R 20.9.85 11/1/86 JPL
- ISSUE 5: CR 21956 C41, C44 MOVED FROM +V REG OUT LINE 14-2-80. JPL
- ISSUE 6: CHANGE TO K888 C/R 22.8.81 JPL

TYPE No.	NOMINAL SUPPLY	POWER
4401	12V	150W
4402	24V	200W

CODAN PTY. LTD. 150W/200W POWER AMPLIFIER.

GEN. TOR. SCALE

DRN J.L.W. CHKD J.P. APPD J.P.W. DATE 12/8/83 DATE 13/8/83 DATE 20-3-89

A1 04-01769 SH1 OF 1